

NEURO 2019

第42回 日本神経科学大会

The 42nd Annual Meeting of
the Japan Neuroscience Society

第62回 日本神経化学学会大会

The 62nd Annual Meeting of
the Japanese Society for Neurochemistry

飛翔する脳科学：
命と心の接点

Brain Science Takes Flight:
Bridging the Mind and Life

2019年7月25日(木) - 7月28日(日)
July 25-28, 2019

会場 朱鷺メッセ(新潟市) Venue: Toki Messe (Niigata)

第42回 日本神経科学大会 大会長

岡本 仁 (理化学研究所)

President: Hitoshi Okamoto (RIKEN)

第62回 日本神経化学学会大会 大会長

那波 宏之 (新潟大学)

President: Hiroyuki Nawa (Niigata University)

<http://www.neuro2019.jnss.org>



Sponsorship Prospectus

Greetings

We are pleased to announce that NEURO2019, the joint meeting of the 42nd Annual Meeting of the Japan Neuroscience Society and the 62nd Annual Meeting of the Japanese Society for Neurochemistry, will be held from July 25 (Thu) to 28 (Sun), 2019 at the Toki Messe Niigata Convention Center in the west coast of the main island of Japan. It has been six years since these organizations held the previous joint meeting in Kyoto in 2013.

Both societies were formed several decades ago with the aim of furthering understanding of the way the brain and nervous system function, with the Japan Neuroscience Society taking a neurophysiological approach and the Japanese Society for Neurochemistry, a neurochemical approach, and each making significant advances in their respective disciplines. Yet in recent years, studies of neural systems have increased in scope significantly, expanding beyond the traditional fields of biology, medical science and pharmaceutical science to cover the disciplines of economics, psychology, infotech, system engineering, education and chemistry as people try to use the knowledge of neuroscience to simulate trends in social behaviors and economic phenomena. Indeed, the borders that have separated realms of neuroscience and neural research are becoming increasingly murky. In light of such trends, the NEURO2019 joint meeting has been organized with the aim of bringing together a broad range of multidisciplinary fields of study.

With such impressive developments being made with modern neuroscience – such as molecular manipulation techniques for neurons and glial cells in the brain, control techniques for neural circuits, visualization methods of human brain activity, and computational neuroscience – we are gaining a better understanding of how the activities of groups of neural cells can regulate the various brain functions of “mind”, and we are elucidating the pathological mechanisms of neurological and psychiatric diseases. Under the general consensus that we, humans, have obtained these tools to reveal the fundamental ways how human brains operate, policy initiatives are taken by the governments around the world to promote further advances in brain research.

As neuroscience and neurochemical research continue to expand on a global scale, the Japan Neuroscience Society and the Japanese Society for Neurochemistry have organized NEURO2019 as a joint meeting with the theme of “Brain Science Takes Flight: Bridging the Mind and Life,” by focusing on the most recent developments in modern neuroscience and providing an avenue to discuss potential future developments. To achieve this goal, NEURO2019 will invite internationally distinguished researchers for plenary lectures and leading Japanese neuroscientists for special lectures, and medical education programs will also be implemented. An additional focus has been placed on training of young researchers, with the program such as oral presentations of young researchers, education-related seminars, and young scientist seminars. Thus, the Neuro2019 program will provide an extensive range of learning and discussion opportunities covering fundamental knowledge through to advanced fields catering to trainees through to graduate school students and researchers.

We would like to take this opportunity to provide the additional information below as We ask for your company’s cooperation and support for NEURO2019. We are looking forward to welcoming a large number of participants at the joint meeting. In closing, We offer my hopes for the continued growth and prosperity of your company.

Sincerely,

42nd Annual Meeting of the Japan Neuroscience Society
President Hitoshi Okamoto

62nd Annual Meeting of the Japanese Society for Neurochemistry
President Hiroyuki Nawa

Meeting Outline

- Title Joint conference of The 42nd Annual Meeting of the Japan Neuroscience Society and The 62nd Annual Meeting of the Japanese Society for Neurochemistry (Neuro2019)
- Theme Brain Science Takes Flight : Bridging the Mind and Life
- Date July 25 (Thu) – 28 (Sun), 2019
*The conference is scheduled to finish at 1:30pm and only educational lectures, symposia, and oral presentations are planned to be held on Day 4(July 28). Poster presentations, exhibition, and luncheon seminars are not programmed.
- Venue TOKI MESSE – Niigata Convention Center
- Purpose and Significance With such impressive developments being made with modern neuroscience – such as molecular manipulation techniques for neurons and glial cells in the brain, manipulation techniques for neural circuits, visualization methods of human brain activity, and computational neuroscience – we have been able to gain a better understanding of how the activities of groups of neural cells in the brain can be attributed to various functions of mind, and we have even been able to identify the pathological mechanisms of neurological and psychiatric diseases and use these findings for developing a way to treat them. Based on the consensus that we have obtained enough tools to reveal the fundamental way brains operate, many countries around the world are now taking the initiative to promote further advances in brain research.
Under such situations where Neuroscience and neurochemical research continue to expand on a global scale, the Japan Neuroscience Society and the Japanese Society for Neurochemistry have organized this joint meeting with the aim of promoting quantal leaps in neuroscience and neurochemistry research that extend beyond the traditional boundaries of such fields. To achieve this goal, the world’s leading researchers from a range of disciplines will present plenary lectures and special lectures, and symposiums and educational forums will be held to provide participants with a greater scope of the latest knowhow and advances, and facilitate communications among the researchers across research disciplines. A truly diverse program is being organized to run from early morning until late in the evening with the goal of boosting the level of “knowledge, technical prowess and interaction,” particularly for young trainees and those just starting out in the field of neuroscience.
- Program Plenary Lectures
Special Lectures
Symposia
Educational Lectures
Award Lectures
Oral / Poster Presentations
Luncheon Seminars
Exhibition
- Expected number of participants approx. 3,000

- Organizers

Presidents:

| | |
|-----------------|----------------------------------|
| Hiroyuki Nawa | (Niigata University) |
| Hitoshi Okamoto | (RIKEN Center for Brain Science) |

Executive Committee Chairs:

| | |
|--------------------|----------------------------------|
| Hiroyuki Kamiguchi | (RIKEN Center for Brain Science) |
| Nobuyuki Takei | (Niigata University) |

Executive Committee Members:

| | |
|----------------------|---|
| Carina Hanashima | (Waseda University) |
| Michihiro Igarashi | (Niigata University) |
| Kazutaka Ikeda | (Tokyo Metropolitan Institute of Medical Science) |
| Schuichi Koizumi | (University of Yamanashi) |
| Kenji Matsumoto | (Tamagawa University) |
| Masabumi Minami | (Hokkaido University) |
| Hirohide Takebayashi | (Niigata University) |
| Taro Toyoizumi | (RIKEN Brain Science Institute) |

Program Committee Chairs:

| | |
|---------------------|----------------------------------|
| Hitoshi Hashimoto | (Osaka University) |
| Yoshihiro Yoshihara | (RIKEN Center for Brain Science) |

Program Committee Members:

| | |
|----------------------|--|
| Kaoru Amano | (Center for Information and Neural Networks) |
| Mutsuki Amano | (Nagoya University) |
| Taiju Amano | (Hokkaido University) |
| Jun Aruga | (Nagasaki University) |
| Hiroko Baba | (Tokyo University of Pharmacy and Life Sciences) |
| Haruhiko Bito | (The University of Tokyo) |
| Shigeyoshi Fujisawa | (RIKEN Center for Brain Science) |
| Ichiro Fujita | (Osaka University) |
| Fumino Fujiyama | (Doshisha University) |
| Tomoki Fukai | (RIKEN Brain Science Institute) |
| Toshiya Funabashi | (St. Marianna University School of Medicine) |
| Hidemasa Furue | (Hyogo College of Medicine) |
| Teiichi Furuichi | (Tokyo University of Science) |
| Yukiko Goda | (RIKEN Center for Brain Science) |
| Yukiko Gotoh | (The University of Tokyo) |
| Ritsuko Hanajima | (Tottori University) |
| Takashi Hanakawa | (National Center of Neurology and Psychiatry) |
| Ryota Hashimoto | (Osaka University) |
| Yasunori Hayashi | (Kyoto University) |
| Akiko Hayashi-Takagi | (Gunma University) |
| Hiroyuki Hioki | (Juntendo University) |

| | |
|---------------------|---|
| Hajime Hirase | (RIKEN Center for Brain Science) |
| Shin-ichi Hisanaga | (Tokyo Metropolitan University) |
| Yoshio Iguchi | (Fukushima Medical University) |
| Takeshi Imai | (Kyushu University) |
| Kaoru Inokuchi | (University of Toyama) |
| Masaki Isoda | (National Institute for Physiological Sciences) |
| Yoshikazu Isomura | (Tamagawa University) |
| Shigeyoshi Itohara | (RIKEN Brain Science Institute) |
| Takuji Iwasato | (National Institute of Genetics) |
| Nobuhisa Iwata | (Nagasaki University) |
| Azusa Kamikouchi | (Nagoya University) |
| Tadafumi Kato | (RIKEN Brain Science Institute) |
| Takeshi Kawauchi | (Institute of Biomedical Research and Innovation) |
| Satoshi Kida | (Tokyo University of Agriculture) |
| Takefumi Kikusui | (Azabu University) |
| Kazuo Kitamura | (University of Yamanashi) |
| Katsunori Kitano | (Ritsumeikan University) |
| Yasuharu Koike | (Tokyo Institute of Technology) |
| Hiroshi Kuba | (Nagoya University) |
| Meigen Liu | (Keio University) |
| Naoki Matsuo | (Osaka University) |
| Masayuki Matsushita | (University of the Ryukyus) |
| Masanori Matsuzaki | (The University of Tokyo)" |
| Reiko Mazuka | (RIKEN Center for Brain Science) |
| Masaru Mimura | (Keio University) |
| Masayuki Miura | (The University of Tokyo) |
| Tsuyoshi Miyakawa | (Fujita Health University) |
| Kazunari Miyamichi | (RIKEN Center for Biosystems Dynamics) |
| Ikue Mori | (Nagoya University) |
| Kenji Morita | (The University of Tokyo) |
| Masanori Murayama | (RIKEN Center for Brain Science) |
| Junichi Nabekura | (National Institute for Physiological Sciences) |
| Katsuki Nakamura | (Kyoto University) |
| Kinichi Nakashima | (Kyushu University) |
| Yukio Nishimura | (Tokyo Metropolitan Institute of Medical Science) |
| Tadashi Nomura | (Kyoto Prefectural University of Medicine) |
| Sonoko Ogawa | (University of Tsukuba) |
| Mineki Oguchi | (Tamagawa University) |
| Kenich Ohki | (The University of Tokyo) |
| Toshihisa Ohtsuka | (University of Yamanashi) |
| Izumi Oinuma | (University of Hyogo) |
| Yoshitaka Oka | (The University of Tokyo) |
| Hiroyuki Okuno | (Kagoshima University) |

| | |
|------------------------|---|
| Hiroataka Onoe | (HBRC, Kyoto University Graduate School of Medicine) |
| Rieko Osu | (Waseda University) |
| Minoru Saitoe | (Tokyo Metropolitan Institute of Medical Science) |
| Ko Sakai | (University of Tsukuba) |
| Takeshi Sakurai | (Kyoto University) |
| Makoto Sato | (Osaka University) |
| Kazunobu Sawamoto | (Nagoya City University) |
| Kazuhiko Seki | (National Center of Neurology and Psychiatry) |
| Katsuei Shibuki | (Niigata University) |
| Tomomi Shimogori | (RIKEN Center for Brain Science) |
| Wen-Jie Song | (Kumamoto University) |
| Hideaki Soya | (University of Tsukuba) |
| Tetsuya Suhara | (National Institutes for Quantum and Radiological Science and Technology) |
| Susumu Takahashi | (Doshisha University) |
| Takuya Takahashi | (Yokohama City University) |
| Kohtaro Takei | (Yokohama City University) |
| Sayaka Takemoto-Kimura | (Nagoya University) |
| Hideyuki Takeuchi | (Yokohama City University) |
| Toru Takumi | (RIKEN Center for Brain Science) |
| Masaki Tanaka | (Hokkaido University) |
| Saori C. Tanaka | (Advanced Telecommunications Research Institute International) |
| Miho Terunuma | (Niigata University) |
| Hiroaki Tomita | (Tohoku University) |
| Makoto Tsuda | (Kyushu University) |
| Makoto Urushitani | (Shiga University of Medical Science) |
| Ayako M. Watabe | (The Jikei University School of Medicine) |
| Masahiko Watanabe | (Hokkaido University) |
| Nobuhiko Yamamoto | (Osaka University) |
| Koji Yamanaka | (Nagoya University) |
| Hidenori Yamasue | (Hamamatsu University School of Medicine) |
| Yoko Yazaki-Sugiyama | (Okinawa Institute of Science and Technology Graduate University) |
| Toshiki Yoshimine | (Osaka University) |
| Yumiko Yoshimura | (NIPS, National Institutes of Natural Sciences) |

Organization Committee Chair:

Katsuhiko Mikoshiba (RIKEN Center for Brain Science)

Organization Committee Members:

Haruhiro Higashida (Kanazawa University)
 Teruhiko Higuchi (National Center of Neurology and Psychiatry/Japan Depression Center)
 Nobutake Hirokawa (The University of Tokyo)
 Sato Honma (Hokkaido University/Sapporo Hanazono Hospital)
 Kazuhide Inoue (Kyushu University)
 Takeshi Iwatsubo (The University of Tokyo)

| | |
|---------------------|---|
| Kiyoto Kasai | (The University of Tokyo) |
| Mitsuo Kawato | (ATR Brain Information Communication Research Laboratory Group) |
| Yasushi Miyashita | (RIKEN Center for Brain Science) |
| Hidehiro Mizusawa | (National Center of Neurology and Psychiatry) |
| Toshitaka Nabeshima | (Fujita Health University) |
| Shigeo Okabe | (The University of Tokyo) |
| Hideyuki Okano | (Keio University) |
| Noriko Osumi | (Tohoku University) |
| Ryosuke Takahashi | (Kyoto University) |

*as of June, 2018 / alphabetical order

● Budget *as of July, 2018

| Income | | |
|-----------------------------|--------------|--|
| Item | Amount (JPY) | Remarks |
| 1. Registration fees | 38,930,000 | 2,860 participants, incl. reception |
| 2. Seminar fees | 8,856,000 | 7 seminars |
| 3. Sponsorship package fees | 6,240,000 | 3 packages |
| 4. Exhibition fees | 23,058,000 | 100 booths |
| 5. Ad fees: Web banner | 432,000 | 2 slots |
| Ad fees: Program booklet | 1,512,000 | 11 pages |
| 6. Subsidies and donations | 21,000,000 | Incl. grants from Niigata prefecture and foundations, etc. |
| 7. Loan from the societies | 3,000,000 | |
| Total (JPY) | 103,028,000 | |

| Expenditure | | |
|--------------------------|-------------------|--|
| Item | Amount (JPY) | Remarks |
| 1. Preparation expenses | <u>25,130,967</u> | |
| 1) Personnel | 9,535,000 | |
| 2) IT production | 4,825,200 | Incl. WEB and Abstract submission/Registration systems |
| 3) Print/Production | 9,140,135 | Incl. Translation fees |
| 4) Communication/Haulage | 1,630,632 | |
| 2. Operational expenses | <u>68,703,790</u> | |
| 1) Venue rental | 17,570,557 | |
| 2) Equipments | 24,137,661 | |
| 3) Personnel | 9,458,100 | |
| 4) Invitation | 7,070,535 | |
| 5) Meeting | 8,081,780 | |
| 6) Sundry | 2,385,157 | |
| 3. Post-meeting expenses | <u>5,612,490</u> | |
| 4. Reserve fund | <u>3,580,753</u> | |
| Total (JPY) | 103,028,000 | |

Exhibition

Exhibition

- Schedule
 - July 24 (Wed), 2019 2:00 pm – 5:00 pm (Set-up)
 - 25 (Thu), 2019 9:00 am – 5:00 pm
 - 26 (Fri), 2019 9:00 am – 6:30 pm
 - 27 (Sat), 2019 9:00 am – 5:00 pm (Dismantling 5:00 pm –)

*Above schedule may be changed. Please confirm a “Confirmation notice” sent around 1 month before Neuro2019.

- Venue TOKI MESSE – Exhibition Hall

- Acceptable exhibits Devices, Reagents, Disposable products, Computer system including software or database, Technical service, PR activity of University or Research institution, Other services for research, Related books, Translation service, etc.
Exhibits not included in above are not acceptable.

- Number of booth 100 booths offered

- Application

Please apply via online application system linked below;
<https://reg26.smp.ne.jp/regist/is?SMPFORM=qam-ninfn-6de0594e7d6746af8466fa3ebf6ec20d>
1) Please confirm an automatic reply sent from the system after submission.
2) An acceptance notice will be sent from the secretariat by e-mail.
Your application is completed when both 1) and 2) are done.
Applications from unrelated companies or exhibits not listed above will be discussed first, and the secretariat will send the conclusion by e-mail.
If you can not apply via the online application system, please contact the secretariat below by e-mail.

- Application deadline April 19 (Fri), 2019

- Payment due June 28 (Fri), 2019
*In case that you cannot pay by the due date after receipt of an invoice, please make sure to inform us. Otherwise, your application will be cancelled and a cancellation charge will be incurred.

- Cancellation

Once your application is received, no cancellation will be accepted except in an inevitable accident recognized by the organization committee. Even in case the cancellation is accepted, a notice in writing must be sent to the secretariat and a cancellation charge will be applied as below based on the receiving date of the notice.

| | |
|--|--|
| Notice before April 19 (Fri), 2019 | … |
| | 50% of the total fee (Exhibition fee) |
| Notice on and after April 19 (Fri), 2019 | … |
| | 100% of the total fee (Exhibition fee) |

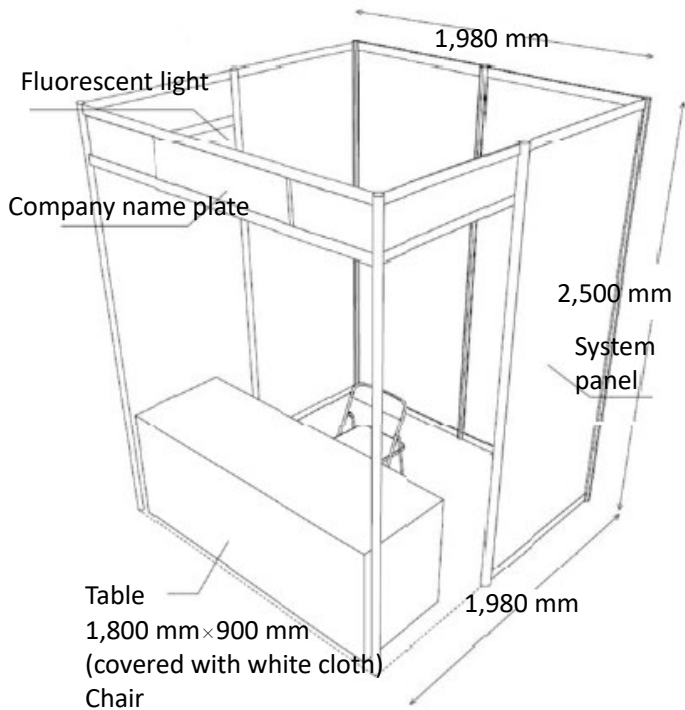
- Secretariat

Neuro2019 Secretariat (c/o A&E Planning Co., Ltd.)
Hitotsubashi Bekkan 4F, 2-4-4, Hitotsubashi, Chiyoda-ku, Tokyo 101-0003 Japan
E-mail: e_neuro2019@aeplan.co.jp
TEL: +81-3-3230-2744

- Booth allocation
Booths will be allocated upon due consideration of kinds of exhibits, shapes, weight, a number of booths, etc. after the application deadline and a layout will be sent with a confirmation notice. No booth allocation meeting will be held.
*Please let us know if you have any requests until the application deadline.
(ex. To allocate booths side-by-side with group companies or business partners.)
- Display table
In case you do not need display tables and place exhibits directly on the floor, please specify the number of unnecessary table on the application system.
Also, please tick the specified section if you are planning your own special decorations for your booths.
- Exhibits control
Please be reminded that all exhibits are under exhibitors' control, and we are not responsible for any losses, thefts, fire or damages by an inevitable accident during the exhibition.
- Others
Distributing flyers, catalogues or samples apart from your booth during the exhibition is not permitted. Since many companies are expected to participate in the exhibition, your cooperation would be highly appreciated.
However, there will be some exceptions of an extra fee option to distribute or with permission from the organization committee.
- Contributions
A part of exhibition fee will be used for arranging "Stamp rally"(Prizes etc.) which is to be held at the exhibition site. If you are interested in cosponsoring prizes, please contact the secretariat.

- Booth type & Fee

- Type A JPY230,000 (excl. tax) / booth



- Acceptable exhibitor

Companies and organizations dealing in devices, reagents, disposable products, computer system including software/database, and technical service related to research in medical and life sciences.

- Booth size

W1,980 mm × D1,980 mm × H2,500 mm

- Furniture

Display table covered with a white cloth (W1,800 mm × D900 mm × H720 mm), Company name plate, Fluorescent light (40W), 1 chair (It depends on the number of booth.), and 4 exhibitor's name badges per booth.

- System panel booth. Pushpins and nails are not available on the panels.

- Type B1 JPY30,000 (excl. tax) / booth

- Acceptable exhibitor

Publishers dealing in related books.
Companies and organizations offering translation service.

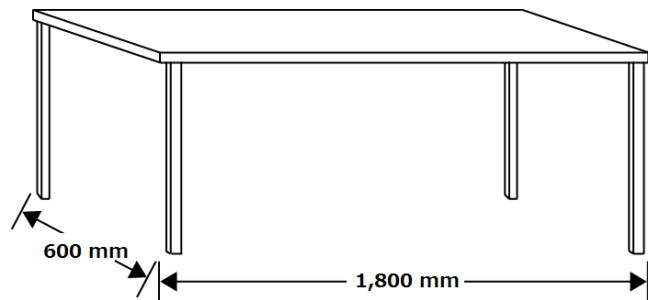
- Booth size

W1,800 mm × D600 mm

- Furniture

Display table (W1,800 mm × D600 mm), 1 chair, and 4 exhibitor's name badges per booth.

*Please prepare a company name plate, a tablecloth, etc. by yourself.



- Type B2 JPY10,000 (excl. tax) / booth

- Acceptable exhibitor

Only book stores dealing in related books.

* Booth size and furniture are the same as type B1.

- Type C JPY100,000 (excl. tax) / booth

*** Booth spec is the same as Type A.**

- Acceptable exhibitors

Academic institutions, Universities, public institutions, etc.

- Booth size

W1,980 mm × D1,980 mm × H2,500 mm

- Furniture

Display table covered with a white cloth (W1,800 mm × D900 mm × H720 mm), Company name plate, Fluorescent light (40W), 1 chair (It depends on the number of booth.), and 4 exhibitor's name badges per booth.

- System panel booth. Pushpins and nails are not available on the panels.

◆ **Electricity is optional, please order via the online application system if needed.** Installation work charge for electric power supply equipment and electricity charge will be billed to each exhibitor.